

LEGEND	
● (SD)	Smoke Detector
⊕	Outlet
○	Light
○	Protective Post
⌘	Switch
GFI	Ground Fault Interrupt
HB	Hose Bib
2040	2'-0" by 4'-0" Window

GENERAL NOTES:
These house plans are an example and for reference only.

Measurements and construction will vary with each project. It is the responsibility of the person preparing the plans to provide all the necessary information.

Emergency egress windows are required in all bedrooms. T designation on a window or slider (2040T) indicates tempered glass.

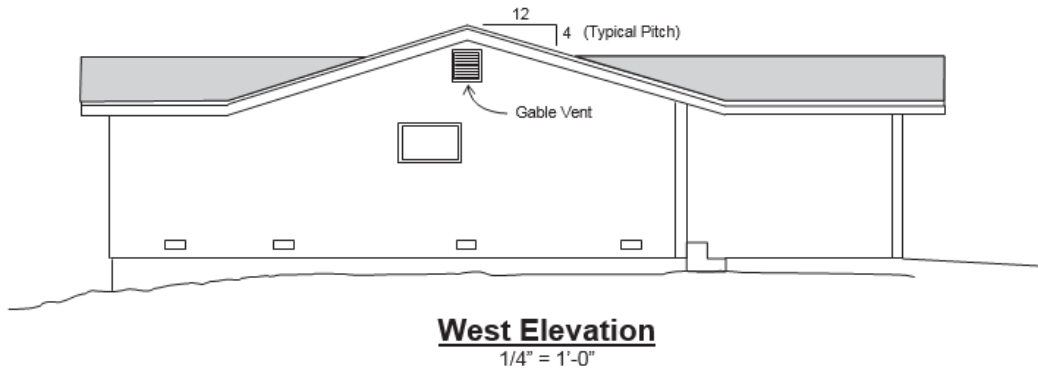
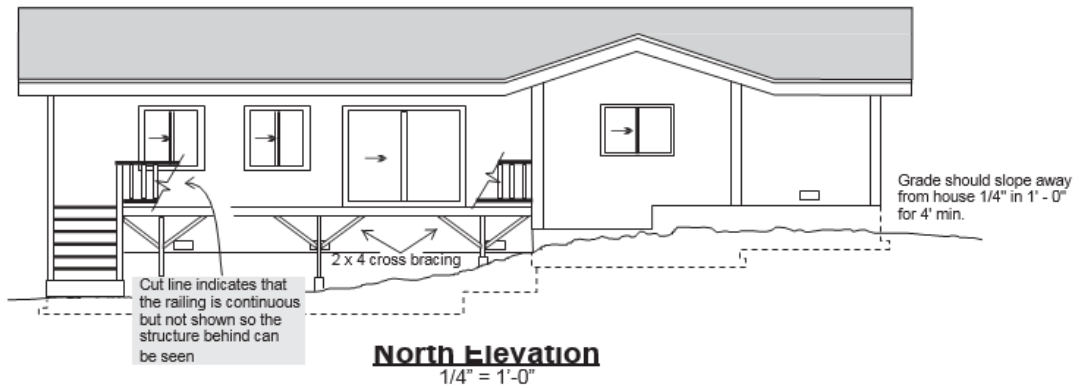
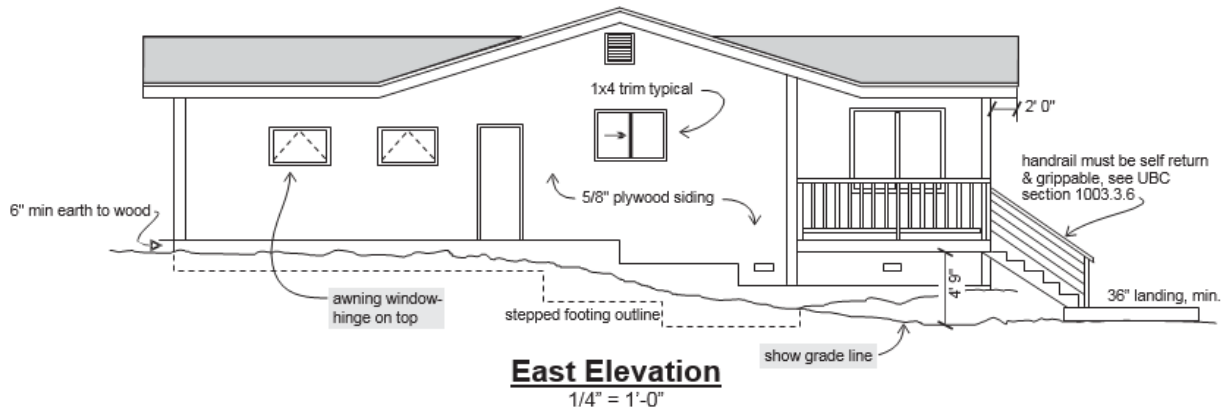
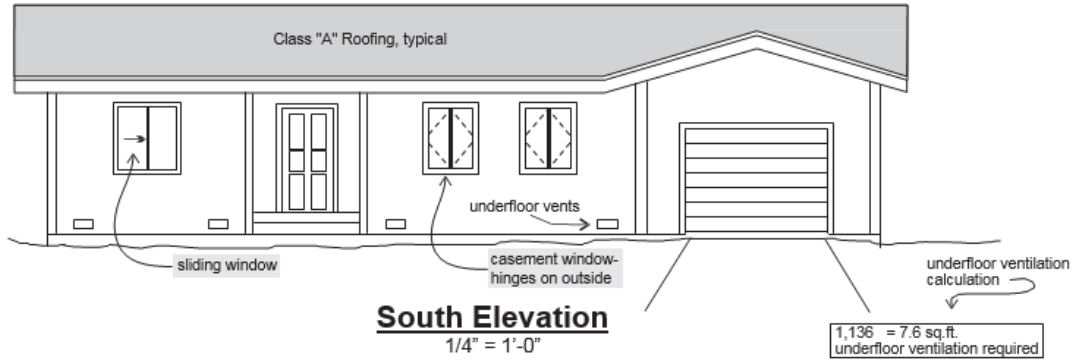
This dwelling fits into package "D" for California (C.Z.2) energy requirements. There are other packages and other approaches in meeting the state requirements. There are also mandatory requirements for all new construction.

HOUSE AREA: 1,136 sq ft
GARAGE AREA: 280 sq ft
GLAZING AREA: 158 sq ft
percentage of glazing (glazing area divided by conditioned floor area ((CFA)) = 14.0%)

THERMAL MASS: 105 sq ft
(thermal mass divided by conditioned ground floor area must be greater than 5%)

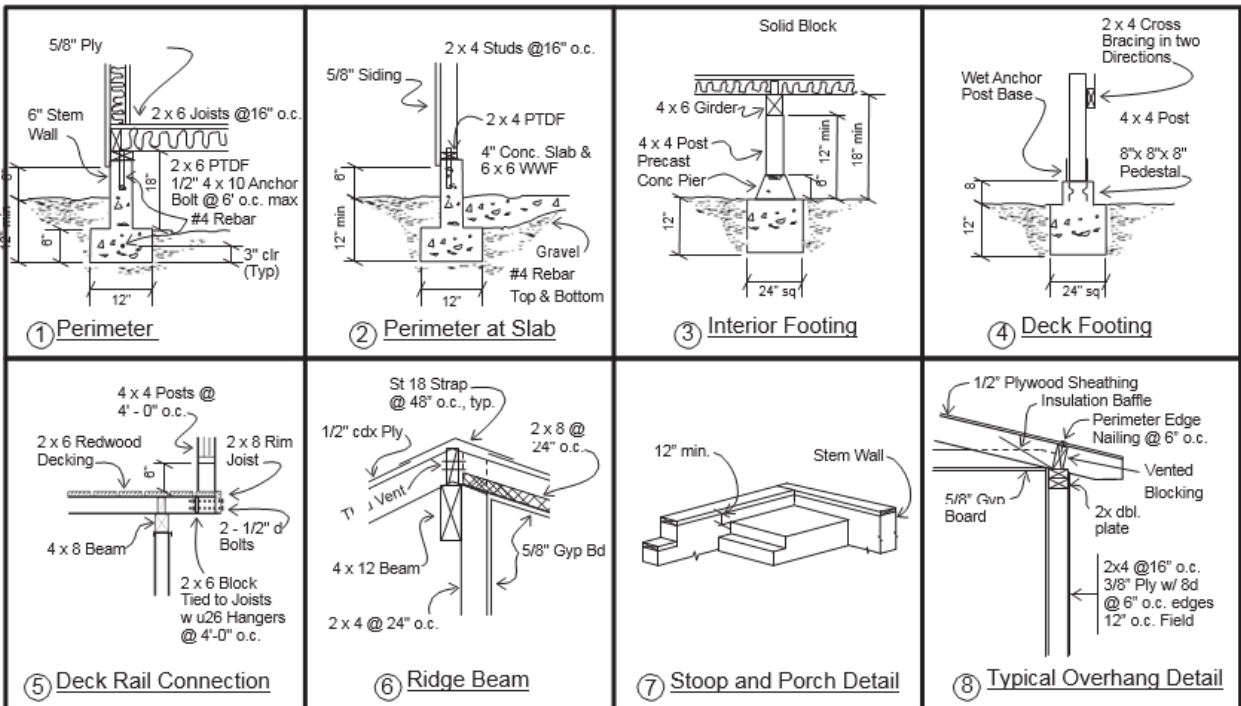
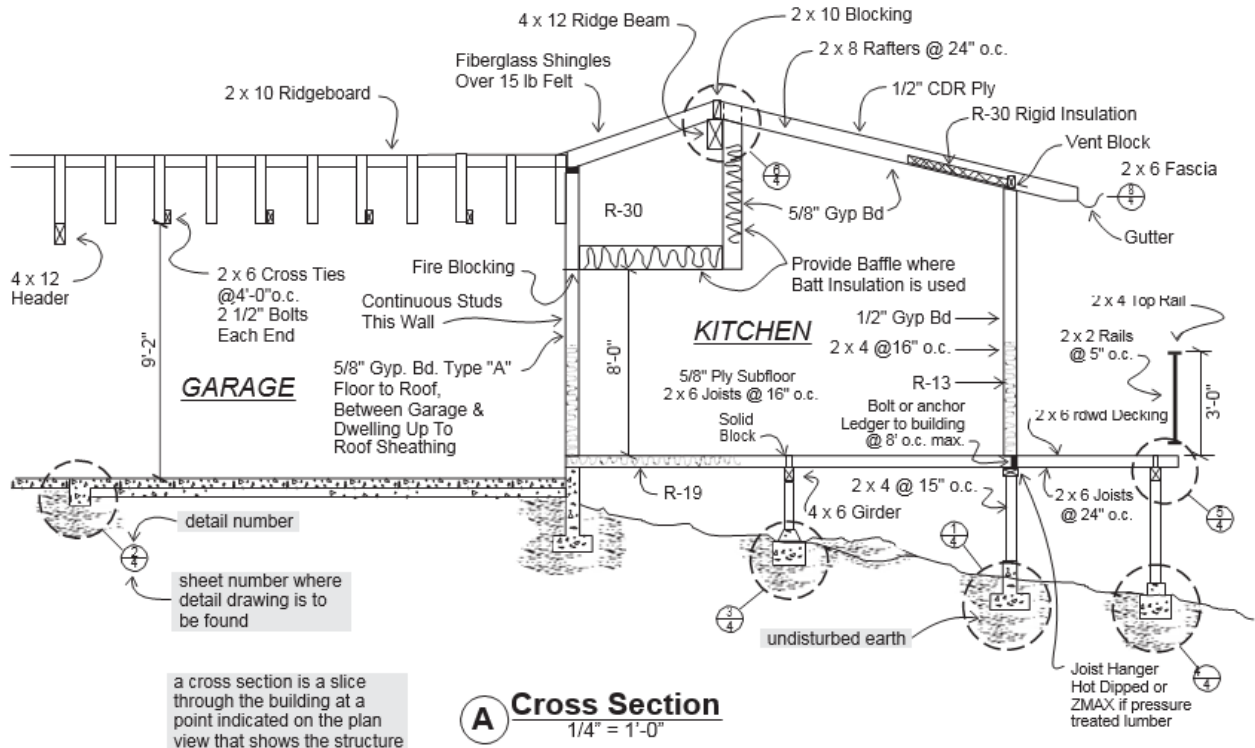
SPECIFY APPLIANCE FUEL TYPE, OUTPUT AND EFFICIENCY:
For Package E
a) Furnace - min AFUE = 78%
b) Water heater - max storage for gas is 50 gal.





sheet
2
of 4





Structural Details
1 1/2" = 1' 0"

sheet
4
of 4

